

Installation Instructions

Edgelock System installation starts from the middle of the roof structure.

1. Cut to size

Cut the aluminum profiles to length, allowing for overhangs of up to 100mm at both ends. A minimum overhang of 50mm over the end-purlin into the gutter is strongly recommended. Cut panels to length, 20mm shorter than aluminum profiles, for expansion allowance.

2. Place the first Mid Profile (fig. 1)

Place the first Mid Profile onto the purlins. When the panels number is even, the first Mid Profile should be placed at the exact center. For odd number of panels, place the first Mid Profile 305mm (12") distant from the exact roof center.

3. Fix the Mid Profile (fig. 2)

Insert a purlin Clip next to every purlin by turning them into the Clip Groove of the Mid Profile. Fix the clips to the purlins from the lower to the upper using two screws for each clip. (It is recommended placing the clips on the inner concealed side of the purlins, for a nicer appearance).

4. Insert Panel (fig. 3)

Insert the panel edge into the Mid Profile, and slide it all the way to be in line with the profile.

5. Insert next Mid Profile (fig. 4)

Insert the next Mid Profile onto the free profiled side of the panel and slide it all the way to be in line with the previous panel and profile.

6. Insert purlin clips next to every purlin (note- do not fix with screws!). (fig. 2)

7. Fix the next Mid Profile (fig. 5)

Use the spacer next to the lower purlin to determine the distance between the profiles and fix the first clip. Repeat this act for every purlin clip up to the higher purlin.

8. Repeat steps 3 to 5, until both sides of the roof are covered and all profiles are fixed.

9. Insert and fix the side profiles (fig. 6)

For the roof end sides use Side profiles which are installed the same as Mid profiles (steps 5 to 7).

10. Half-Width Panel

When using Half-Width Panel at the roof side, insert the panel and the side profile as described in steps 3 to 5. Manually stretch the panel by pulling the Side profile near the lower purlin and fix the clip. Repeat this act for every purlin clip up to the higher purlin.

11. Fix End Caps (fig. 7)

Place the End Caps on the lower edges of the profiles and fix them using the caps screws.

12. Wall Flashing (fig. 8)

Place the Wall flashing at the roof upper end onto the EdgeLock to fit its shape. Fix the flashing to the mid profiles using cap screws. connect the flashing to the wall using standard wall fasteners.

Notes:

- Edgelock system does not require using silicones or adhesives for parts interface. For voluntary sealing of flashing assemblies use only PALRAM approved accessories, silicones, sealing tape, closure fixtures etc.
- For cleaning Edgelock panels use pressure water cleaner and allow for natural drying. Do not use cloth/ sponge/ chamois or similar. Doing this can scratch the panels and harm their performance.
- For cutting Edgelock panel use circular saw, jigsaw or hand saw with fine tooth blade. apply moderate feeding rate and support the panel close to the cutting line.

Installation Data

■ Roof structure

EdgeLock system is designed for purlin - based supporting structures.

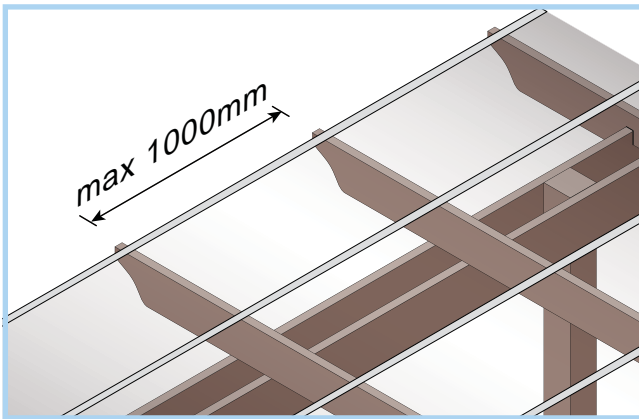
Recommended minimum roof slope for Edgelock applications is 5%.

The purlin height should be 40mm (1.5") or more, above the structural beam / rafters.

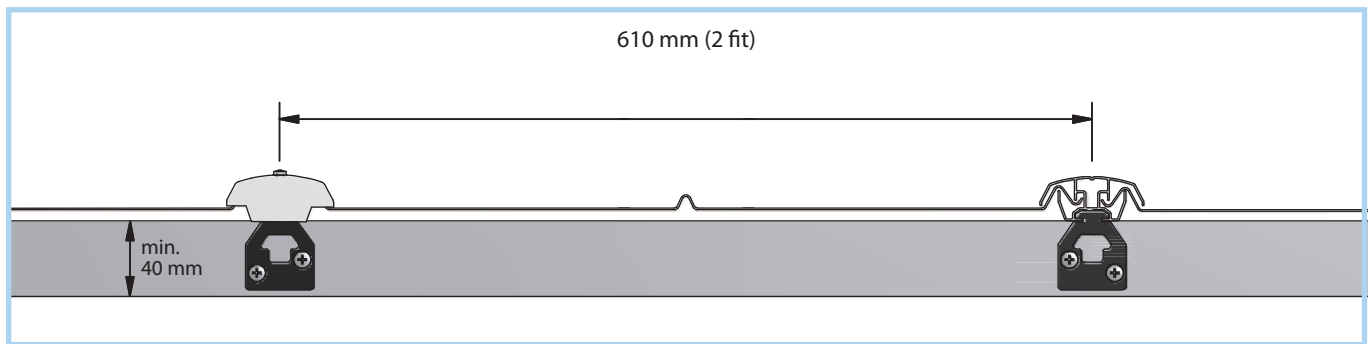
■ Recommended purlins span

EdgeLock system is designed for installation on purlins that are spaced up to 1000mm (3.3'), to withstand mechanical and wind loading of up to 100kg/m².

Maximum Spans Between Purlins



Assembled System Width*



* Special 'half-width' 305mm (1') panels are available for increasing the optional system cover widths.

Panels Number / roof width calculator

Number of panels	3	4	5	6	7	8	9	10
Total cover width (mm)	1880	2490	3100	3710	4320	4930	5540	6150
Total cover width (")	6'-2"	8'-2"	10'-2"	12'-2"	14'-2"	16'-2"	18'-2"	20'-2"