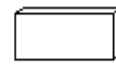
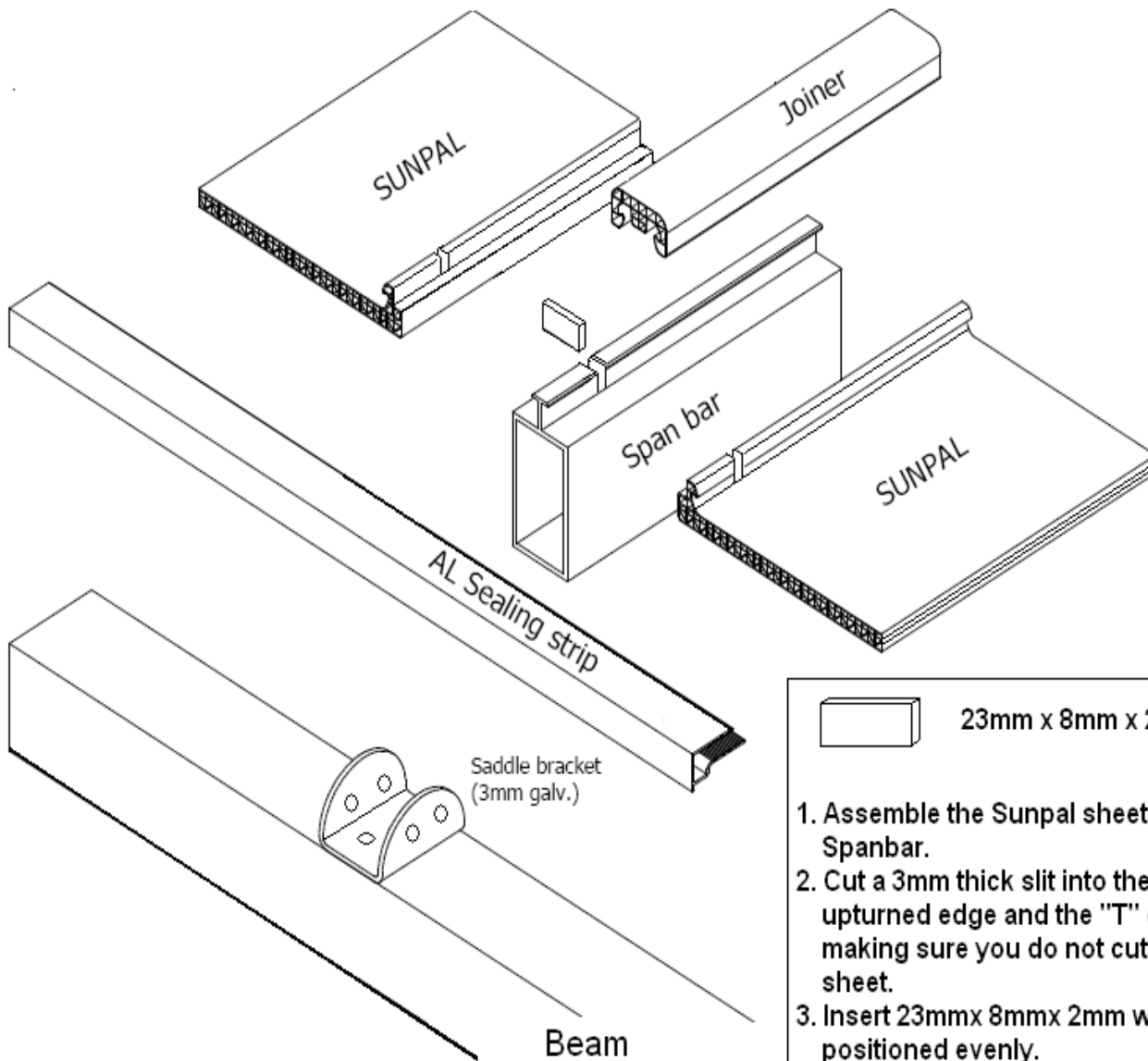




SPANBARsystems
Structural Roofing & Facades

The Wedge Eliminates “creep” on your roof!



23mm x 8mm x 2mm Wedge

1. Assemble the Sunpal sheets either side of the Spanbar.
2. Cut a 3mm thick slit into the Sunpal sheet's upturned edge and the "T" of the Spanbar - making sure you do not cut into the face of the sheet.
3. Insert 23mmx 8mmx 2mm wedge so it's positioned evenly.
4. Snap on the polycarbonate joiner over the top