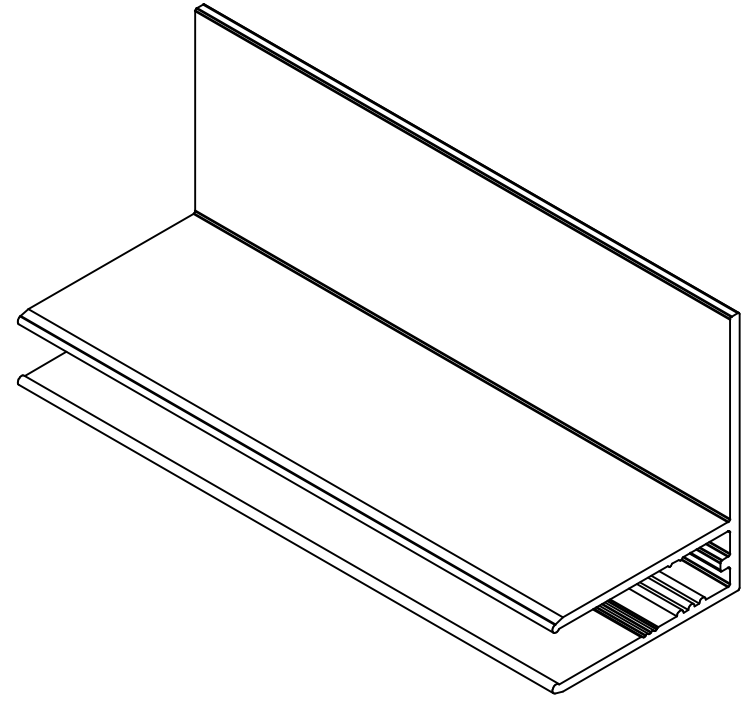



( 2 : 1 )



( 1 : 1 )

 <b>Technical Support Department</b> <b>Palram Industries Ltd.</b> Ramat Yohanan 30035, Israel Tel: 972-4-8459900 Fax: 972-4-8444012 E-Mail: Palram@palram.com Website: www.palram.com	Date	Revision	App. by
	27/5/2008	A	TF
	1/6/2008	B	TF
Project: SUNPAL	Drawing Name: AL F profile 8mm	Scale: 2:1	
Part Number: 1108	Drawn by: tal_f	Material: Aluminum 6063-T5	